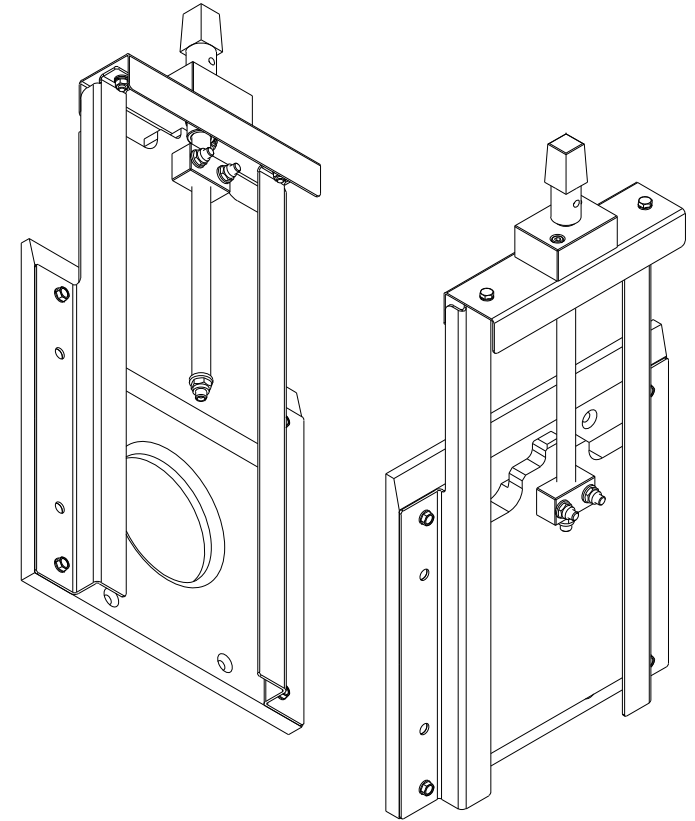
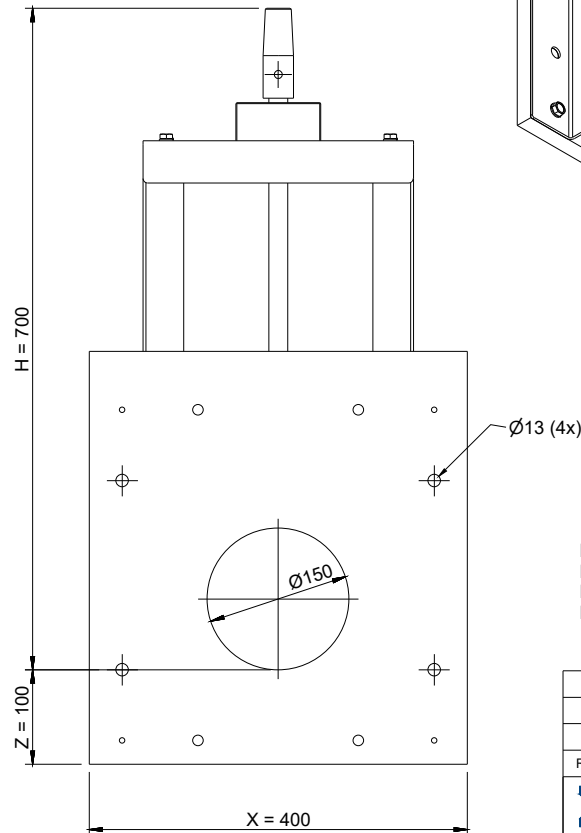
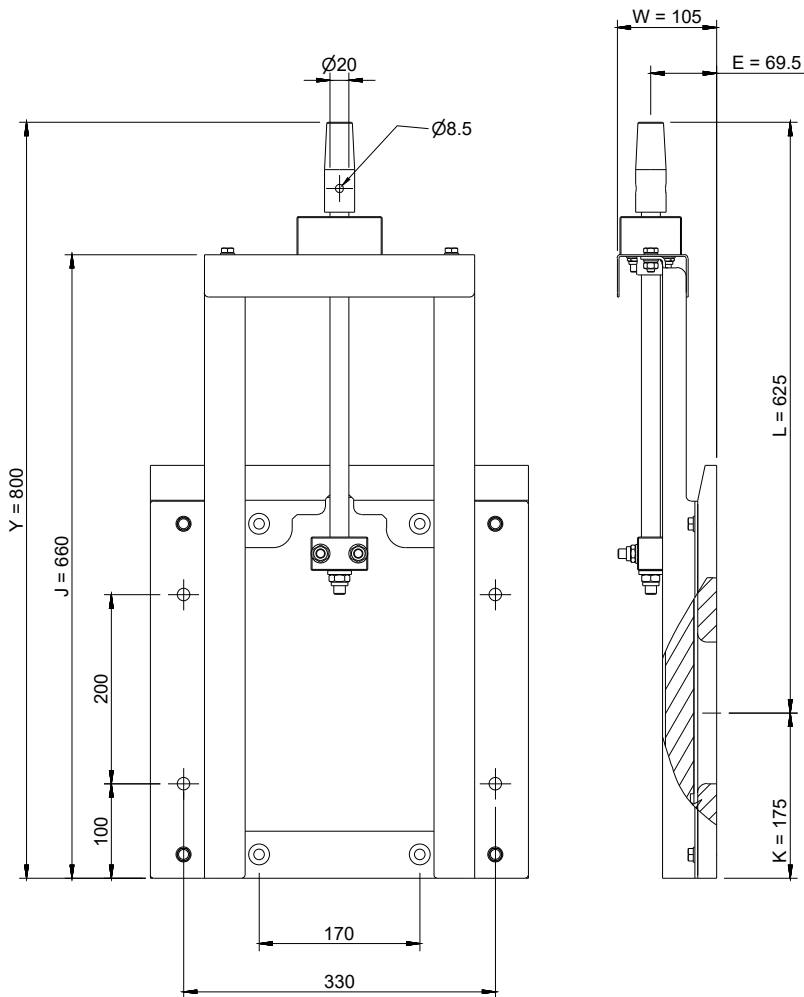


Materials:
 Structural : HDPE , Aisi316
 Nut : bronze RG12
 Seals : neoprene
 Weight : 12.2 Kg



Max load - on/off seating ; 5 mWc from bottom of opening (B.I.L.)
 No. of chemical anchors M8 : 4 pce
 No. of hammerset anchors M10 : 4 pce
 Bare shaft end 20mm. Conical socket removed when using spindle extension.

| Rev. | Modification | Drwn | Date | Acc. |
|---|--------------|--------------------------------------|---------------|-------------------------------|
| | | | | |
| | | Product / Name | | |
| <small>ADDRESS: ALTHON LIMITED, HULLCORN ROAD SOUTH, NORWICH, NR16 9PF TEL: 01603 480700, FAX: 01603 480888, EMAIL: sales@althon.co.uk, WEBSITE: www.althon.co.uk</small> | | Penstock Type ASA , Diam. = 150mm | | |
| <small>PROPRIETARY & CONFIDENTIAL</small> <small>The information contained in this drawing is the sole property of Althon Limited. Any reproduction in part or as a whole without the written permission of Althon Limited is strictly prohibited.</small> | | Drawn: PTM | Acc. | Date: 22-02-2018 |
| <small>Unless otherwise specified: Tolerances acc. to EN-ISO 2768-c Surface finish according to: Geometric tolerances acc. to:</small> | | Scale: 1 : 4 | Dim.unit (mm) | Sh.no. 1 |
| | | Am.proj. | A2 | Drawing number: ASA015-Doc |